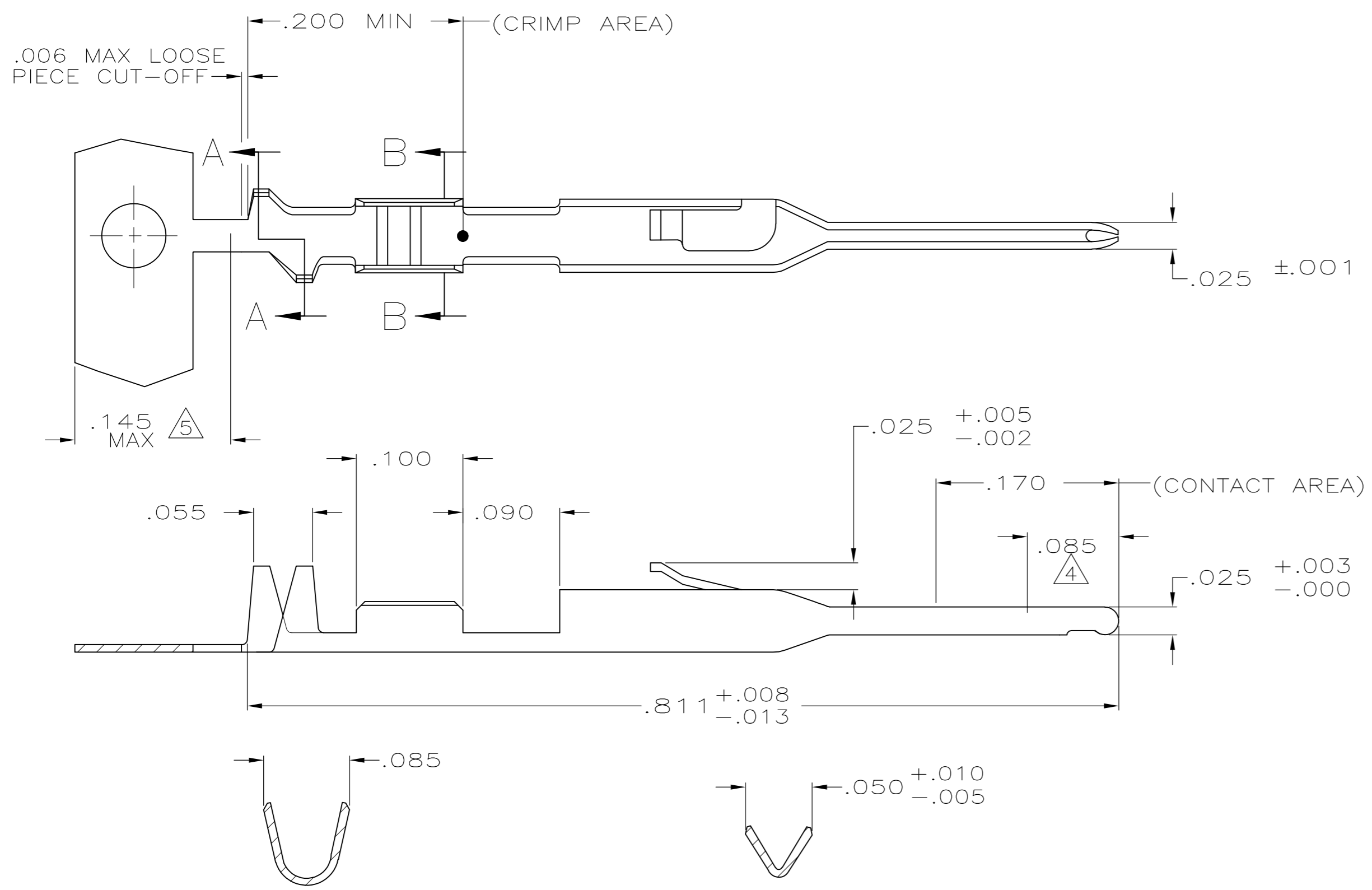


THIS DRAWING IS UNPUBLISHED. RELEASED FOR PUBLICATION
 © COPYRIGHT - By - ALL RIGHTS RESERVED.

LOC		DIST		REVISIONS			
AD	00	P	LTR	DESCRIPTION	DATE	DWN	APVD
		H1		REVISED PER ECO-11-004917	11MAR11	RK	HMR



SECTION A-A
INSULATION RANGE .054 MAX

SECTION B-B
WIRE RANGE #28-#32

- 1 .000100-.000200 BRIGHT TIN-LEAD OVER .000030 NICKEL ENTIRE CONTACT
- 2 .000015 GOLD IN CONTACT AREA, .000050-.000100 BRIGHT TIN-LEAD IN CRIMP AREA, ALL OVER .000030 NICKEL ENTIRE CONTACT
- 3 .000030 GOLD IN CONTACT AREA, .000050-.000100 BRIGHT TIN-LEAD IN CRIMP AREA, ALL OVER .000030 NICKEL ENTIRE CONTACT
- 4 POINT OF MEASUREMENT FOR PLATING THICKNESS
- 5 GOLD PLATING NOT REQUIRED IN THIS AREA
- 6 .000015 GOLD IN CONTACT AREA, .000050-.000100 BRIGHT TIN IN CRIMP AREA, ALL OVER .000030 NICKEL ENTIRE CONTACT.
- 7 PRELIMINARY PART - NOT RELEASED FOR PRODUCTION.
- 8 .000100-.000200 BRIGHT TIN OVER .000030 NICKEL ENTIRE CONTACT.
- 9 .000100-.000200 MATTE TIN OVER .000030 NICKEL ENTIRE CONTACT.
- 10 .000015 GOLD IN CONTACT AREA, .000050-.000100 MATTE TIN IN CRIMP AREA, ALL OVER .000030 NICKEL ENTIRE CONTACT
- 11 .000030 GOLD IN CONTACT AREA, .000050-.000100 MATTE TIN IN CRIMP AREA, ALL OVER .000030 NICKEL ENTIRE CONTACT

11	5-104506-7	5-104506-6
10	5-104506-5	5-104506-4
9	5-104506-3	5-104506-2
8	1-104506-1	1-104506-0
6	104506-9	104506-8
3	104506-7	104506-6
2	104506-5	104506-4
1	104506-3	104506-2
FINISH	LOOSE PIECE PART NUMBER	PART NUMBER

THIS DRAWING IS A CONTROLLED DOCUMENT.

DWN	D KEITZER	12-14-88
CHK	S. SHUEY	12-15-88
APVD	C.SINISI	12-16-88
PRODUCT SPEC		
APPLICATION SPEC		
WEIGHT	-	
MATERIAL	PHOS BRONZE	
FINISH	SEE TABLE	

TE Connectivity

PIN, AMPMODU, MTE

SIZE: A2 CAGE CODE: 00779 DRAWING NO: C=104506 RESTRICTED TO: -

CUSTOMER DRAWING SCALE: 10:1 SHEET: 1 of 1 REV: H1